


# configuration

## Setting the Day and Time

1. Press the **Set 1** and **Set 2** buttons simultaneously until the **MO TU WE TH FR SA SU** and  symbols are displayed.
2. Use **▲ ▼** to set the current hour, pressing **Set 1** to confirm.
3. Use **▲ ▼** to set the current minute, pressing **Set 1** to confirm.
4. Use **▲ ▼** to set the current day, pressing **Set 1** to confirm.
5. Press the **Set 1** and **Set 2** buttons simultaneously to return to normal operation.

## Advanced Settings

The switches located behind the faceplate door are used to adjust the functionality of the thermostat as follows.

Switch	On Position	Off Position
One	Configuration Mode	Home Use
Two	Fahrenheit	Celsius
Three	Floor Sensing Mode	Air Sensing Mode
Four	–	Leave Off

Parameter	Description	Value Range	Default
1	Temperature Calibration	±3°C	0°C
2	Minimum Temperature	0°C – Maximum	5°C
3	Maximum Temperature	Minimum – 90°C	35°C
4	Temperature Cycle On	0°C – -3°C	-1°C
5	Temperature Cycle Off	0°C – 3°C	1°C
6	Factory Use Only – Do not Change		
7	Factory Use Only – Do not Change		
8	Factory Use Only – Do not Change		

## Troubleshooting and Technical Support

If you are experiencing difficulties, perform a factory reset by setting **Switch One** to the **On** position, pressing and holding **Hold** for 25 seconds and returning Switch One to the **Off** position.

If you continue to experience problems replace the internal battery ensuring the plastic strip has been removed.

For additional support, please contact the customer service team on either  
1300 720 719 (Australia) or 0800 720 719 (New Zealand).  
[www.livella.com](http://www.livella.com)

# LU-AP3000

## floor heating thermostat with appliance control

### Important Information



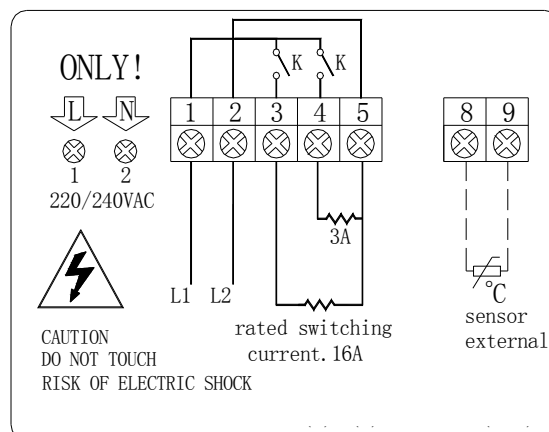
This is a 220-240VAC line voltage thermostat – always ensure power has been completely disconnected before installing, removing or cleaning the unit. Do not touch the circuit board or any other component while power is connected. Connect to power only after having attached the faceplate.

### Installation

Choose a position 1.20 – 1.40m above floor level out of direct sunlight and away from any external heat sources. Do not install this thermostat inside a bathroom or any other wet or damp areas, as this will invalidate your 12-month warranty.

1. Open the front door, carefully remove the screw and separate the faceplate from the base.
2. Place the thermostat on the wall at the desired position marking the fixing points through the appropriate holes.
3. Follow the Wiring Diagram to connect the floor heating cold leads, optional appliance power leads, remote temperature sensor and electrical supply to the connection terminals.
4. Use machine screws to securely attach the base to the wall. Do not over tighten.
5. Remove the plastic strip from underneath the battery and reattach the faceplate to the base.

### Wiring Diagram



## operating your floor heating system

Turn on the thermostat by pressing and briefly holding the **Power** button. The day, time and room temperature will be displayed. ☼ is displayed when in heating mode and **[ON1]** while the floor is warming.

This thermostat has been pre-configured and can be modified using the following instructions.

Pr ogram	Monday – Friday		Saturday – Sunday	
	Time	Temperature	Time	Temperature
One	06:00am	26°C	06:00am	26°C
Two	08:00am	17°C	08:00am	17°C
Three	06:00pm	26°C	06:00pm	26°C
Four	10:00pm	17°C	10:00pm	17°C

Press **Set 1** so that **MO TU WE TH FR** is displayed. If necessary, use ▲ ▼ to select the **SA SU** schedule. Press **Set 1** to begin modifying the highlighted schedule.

Begin modifying the first program (1 is displayed on the third line):

1. Use ▲ ▼ to set the starting hour, pressing **Set 1** to confirm.
2. Use ▲ ▼ to set the starting minute, pressing **Set 1** to confirm.
3. Use ▲ ▼ to set the temperature, pressing **Set 1** to confirm.

Repeat the steps above to modify each of the schedule's four programs; 1, 2, 3 & 4. For maximum energy savings, 21°C is the recommended heating temperature.

Press **Hold** to return to normal operation after modifying each of the four programs. The thermostat will return to normal operation after the modification of the **SA SU** schedule.

### temporary and manual override

The temperature override feature will temporarily change the current program, returning to normal at the start of the following program. The manual program will maintain a constant temperature until interrupted.



1. Repeatedly press the **Hold** button until **TEMPORARY** or **STATUS** is displayed for Temporary and Manual modes respectively.
2. Use ▲ ▼ to set the temperature and wait 10 seconds to confirm.

Press **Hold** at anytime to return to normal operation.

### parental key lock

Press **Lock** to prevent modification of the thermostat's settings; press **Lock** again to return to normal operation.



## auxiliary control – lighting, fan and appliance control

Lights, fans and other low power appliances can be connected to the auxiliary circuit and operated by the thermostat. **Auto** is displayed while the appliance is run on a schedule, while **On** is displayed when the appliance is manually operated.

### Manually Turning on the Appliance

Press the **Power** button briefly to temporarily switch on the appliance until the start of the next program. Press again to return to scheduled operation.

### Setting a Schedule

This thermostat has been pre-configured with the following appliance schedule and can be modified using the following instructions.

Program	Start Time	End Time
One	06:00am	09:00am
Two	06:00pm	09:00pm

Press the **Set 2** so that **Prog 1** is displayed. Modify the first program as follows:

1. Use ▲ ▼ to set the starting time hour, pressing **Set 2** to confirm.
2. Use ▲ ▼ to set the starting time minute, pressing **Set 2** to confirm.
3. Use ▲ ▼ to set the ending time hour, pressing **Set 2** to confirm.
4. Use ▲ ▼ to set the starting time minute, pressing **Set 2** to confirm.

Repeat the steps above to modify **Prog 2** after which the thermostat will return to normal operation.